

E024S



FAAC

INDEX

0	BOX LAYOUT.....	2
1	WARNINGS.....	3
2	LAYOUT AND CONNECTIONS.....	3
3	TECHNICAL SPECIFICATIONS	4
3.1	DESCRIPTION OF COMPONENTS.....	4
3.2	DESCRIPTION OF TERMINAL-BOARDS	4
3.3	ANTI-CRUSHING FUNCTION	4
4	PROGRAMMING THE LOGIC	4
5	PROGRAMMING THE SPEED.....	4
6.	START-UP.....	5
6.1	LEDS CHECK.....	5
6.2	PROGRAMMING THE DIP-SWITCHES	5
6.3	TIME LEARNING – SETUP	5
6.3.1	AUTOMATIC SET-UP	5
6.3.2	MANUAL SET-UP	5
6.3.3	PROGRAMMING THE LOGIC	6
6.3.4	SECOND LEVEL PROGRAMMING - ADVANCED FUNCTIONS.....	6
7	INSTALLATION OF BUS ACCESSORIES.....	7
7.1	SETTING THE BUS PHOTOCELLS.....	7
7.2	MEMORY STORAGE OF BUS ACCESSORIES.....	8
8	MEMORY STORING THE RADIO CODE.....	8
8.1	MEMORY STORAGE OF DS RADIO CONTROLS.....	8
8.2	MEMORY STORAGE OF SLH RADIO CONTROLS.....	8
8.3	MEMORY STORAGE OF RC/LC RADIO CONTROLS	9
8.3.1	REMOTE MEMORY STORAGE OF RC/LC RADIO CONTROLS.....	9
8.4	RADIO CONTROLS DELETION PROCEDURE	9
9	CONNECTION OF BUFFER BATTERIES (OPTIONAL).....	9
10	AUTOMATED SYSTEM TEST.....	9
11	S700H/S800H: BUS ENCODER WIRING	11
12	S450H BUS ENCODER WIRING.....	12
13	LOGIC TABLES.....	12

CE DECLARATION OF CONFORMITY

Manufacturer: FAAC S.p.A.
Address: Via Calari, 10 - 40069 Zola Predosa BOLOGNA - ITALY
Declares that: Control board mod. E024S,

- conforms to the essential safety requirements of the following EEC directives:

2006/95/EC Low Voltage Directive
2004/108/EC Electromagnetic Compatibility Directive

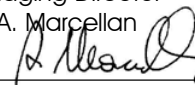
Additional information:

This product underwent a test in a typical, uniform configuration.
(all products made by FAAC S.p.A)



Bologna 20-04-2010

The Managing Director

A. Marcellan



WARNINGS

- Important! For the safety of people, it is important that all the instructions be carefully observed.
- Incorrect installation or incorrect use of the product could cause serious harm to people.
- Carefully read the instructions before beginning to install the product and keep them for future reference.
- The symbol  indicates notes that are important for the safety of persons and for the good condition of the automated system.
- The symbol  draws your attention to the notes on the characteristics and operation of the product.

ELECTRICAL BOX E024S

0 BOX LAYOUT

⚠ THE BOX CONTAINS THE E024S CONTROL UNIT AND THE DEVICES TO POWER IT. IT MUST THEREFORE BE HANDLED WITH CARE DURING ALL INSTALLATION STAGES, TO AVOID DAMAGING ITS COMPONENTS.

The dimensions of the box are shown in Fig.A:

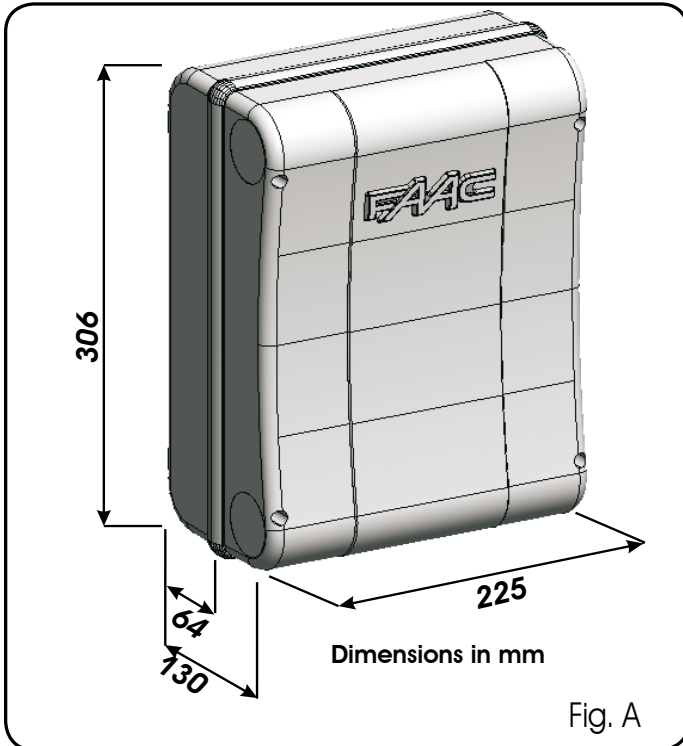
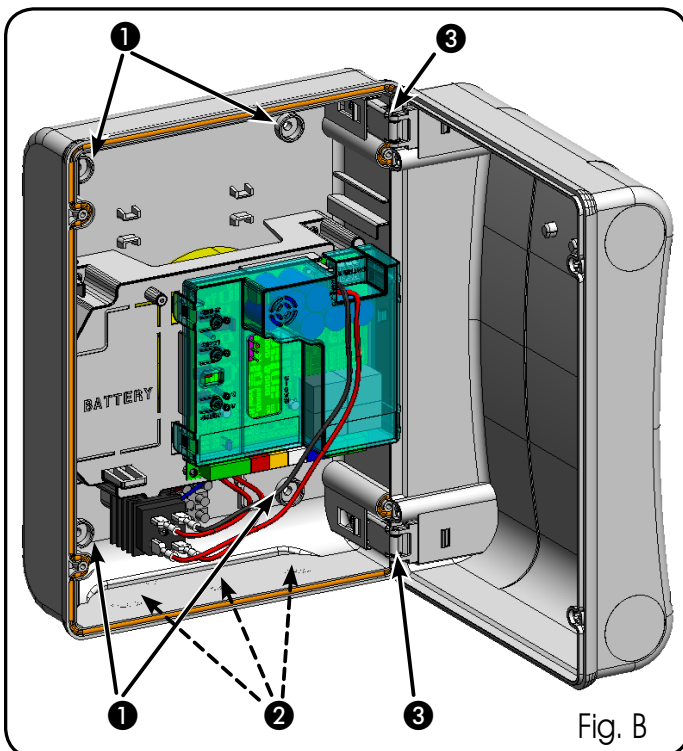
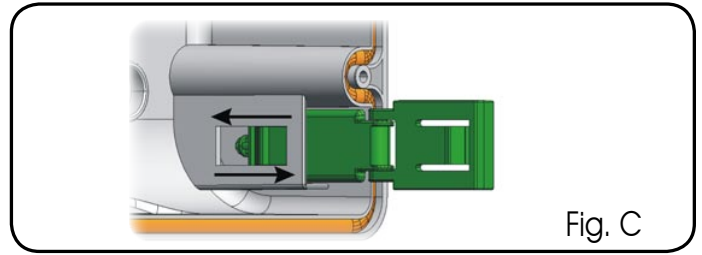


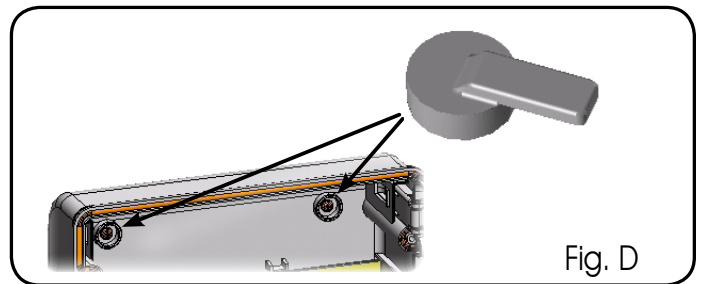
Fig. B shows the four 5 mm diam. holes for securing the box (ref. ①) to the wall, the three facilities for installing the cable grippers M16/M20/M25 (ref. ②) and the two cover hinges (ref. ③).



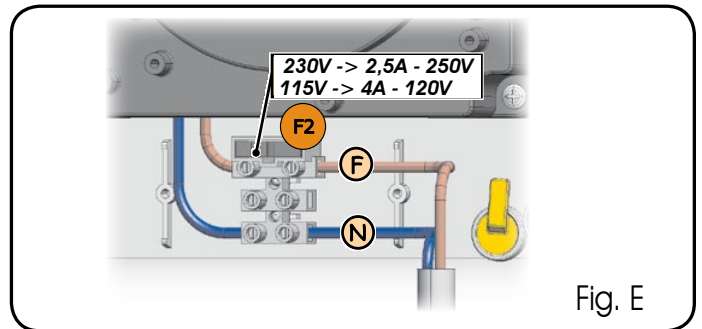
The cover hinges can be moved upward to allow opening the box housing (Fig. C); they can also be removed and re-positioned in order to enable the cover to open to the right or left.



When you have secured the box in the selected position, cover the securing holes (ref. ① Fig.B) and the screws with the supplied plugs as shown in Fig.D.



Connect the power cable as shown in Fig.E. After having connected the control board to the different parts of the automated system, close the box by placing the cover on its seat with gasket.



Next, tighten the four supplied screws to guarantee the degree of protection against external agents (Fig.F).



CONTROL UNIT E024S

1 WARNINGS

⚠ Before attempting any work on the control unit (connections, maintenance), always turn off power.

- Install, upstream of the system, a differential thermal breaker with adequate tripping threshold,
- Always separate power cables from control and safety cables (push-button, receiver, photocells, etc.).
- To avoid any electrical disturbance, use separate sheaths or a shielded cable (with the shield earthed).

2 LAYOUT AND CONNECTIONS

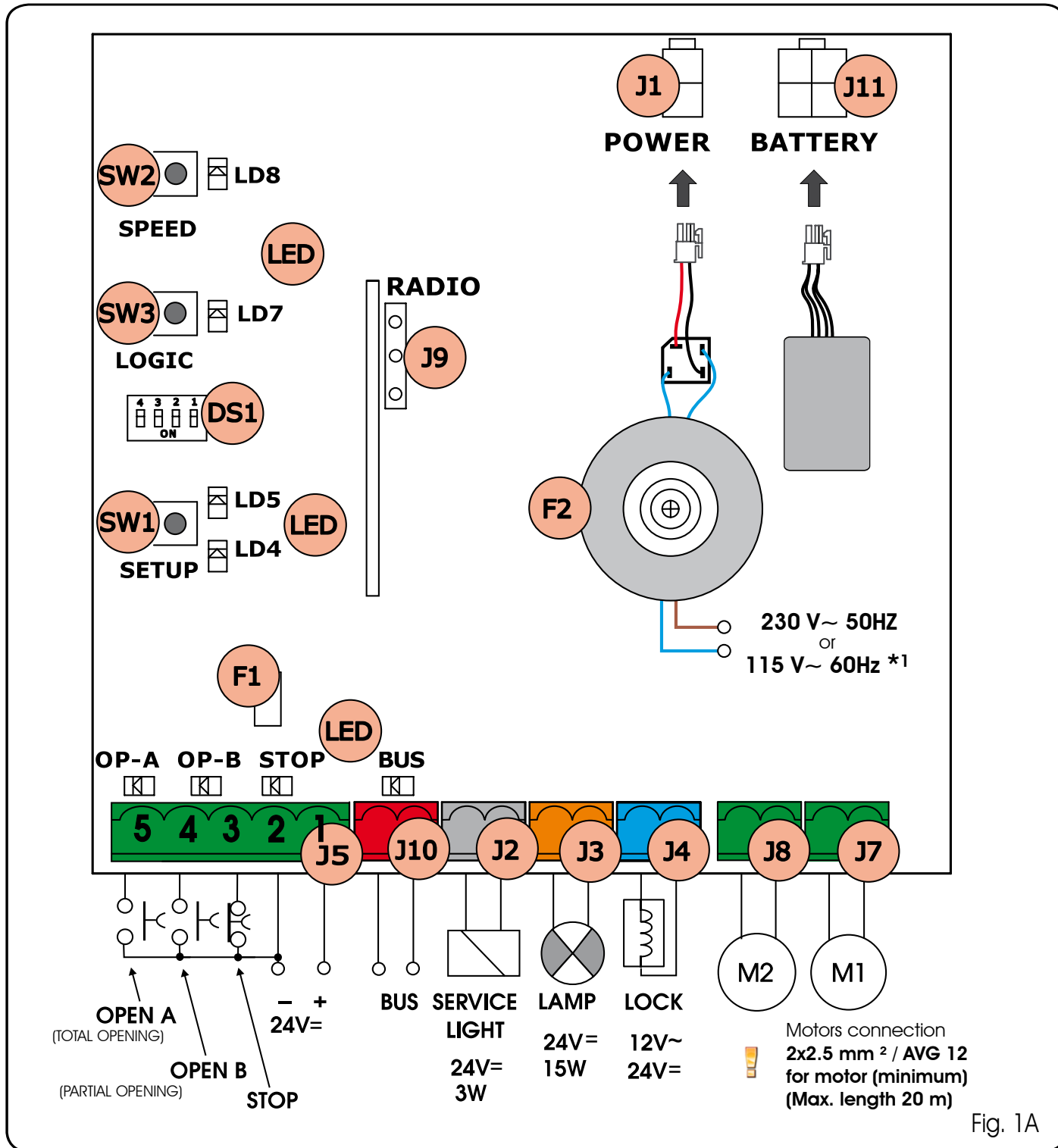


Fig. 1A

⚠ *1 THE POWER SUPPLY IS RELATED TO THE E024S PURCHASED VERSION.

CONTROL UNIT E024S fitted on 391

1 WARNINGS



Before attempting any work on the control unit (connections, maintenance), always turn off power.

- Install, upstream of the system, a differential thermal breaker with adequate tripping threshold,
- Always separate power cables from control and safety cables (push-button, receiver, photocells, etc.).
- To avoid any electrical disturbance, use separate sheaths or a shielded cable (with the shield earthed).

2 LAYOUT AND CONNECTIONS

ENGLISH

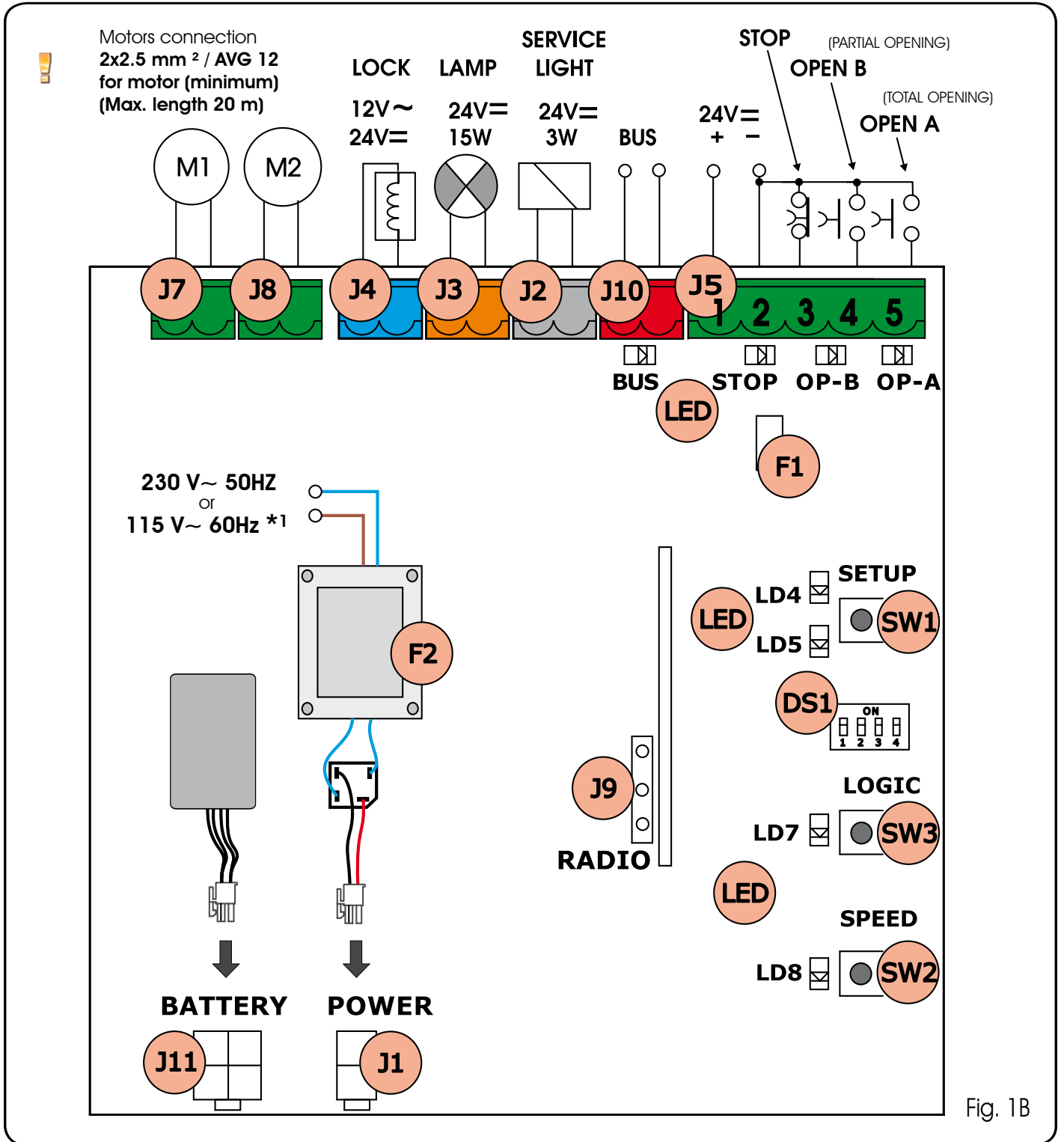


Fig. 1B



*1 THE POWER SUPPLY IS RELATED TO THE E024S PURCHASED VERSION.

3 TECHNICAL SPECIFICATIONS

Power supply voltage *	230V~ (+6% -10%) - 50Hz 115V~ (+6% -10%) - 60Hz
Absorbed power	4W
Motor max. load	150W x 2
Accessories max. current (+24V=)	250 mA
BUS Accessories max.current	400 mA
Operating ambient temperature	-20°C... +55°C
Fuses *	F1 = self-resetting; F2 = T2A-250V~ or T4A-120V~
Function logics	A, E, AP, EPA1, B, C
Work time (time-out)	5 minutes (fixed)
Pause time	Varies according to learning (max. 10 min.)
Terminal board inputs	Open A, Open B, Stop, BUS (I/O)
Connector inputs	Power supply, battery module XF 433 or XF 868
Terminal board outputs	Motors, flashing lamp, power supply to accessories, electric lock, service light contact (90 sec fixed)
Programmable functions	Speed (High - Low)
Learning functions	Pause time, leaf closing delay
Integrated radio channels type	DS, SLH (max 250 channels) LC -RC (max 250 channels)

* The power supply and the fuse are related to the purchased version. The self-resetting fuse F1 stops the power supply to the accessories by opening a circuit if a current over 500 mA is detected. It automatically resets after 5 seconds.


3.1 DESCRIPTION OF COMPONENTS

J1	POWER SUPPLY connector
J2	SERVICE LIGHT command terminal-board
J3	FLASHING LAMP terminal-board
J4	ELECTRIC LOCK terminal-board
J5	COMMANDS terminal-board
J7	MOTOR 1 terminal-board
J8	MOTOR 2 terminal-board
J9	Rapid connection for XF MODULE
J10	BUS terminal-board
J11	BATTERY connector
SW1	SET UP push-button
SW2	SPEED push-button
SW3	LOGIC push-button
DS1	Programming Dip-switch
F1	Accessories protective fuse
F2	Fuses protecting transformers and motors
LED	Signalling LEDs

3.2 DESCRIPTION OF TERMINAL-BOARDS

Terminal and/or terminal-board	Description	Device connected
1	+24V=	Power supply for accessories
2		Negative
3	J5	STOP Device with NC contact which causes the automated system to shut down
4		OPEN B Device with N.O contact (see chap. FUNCTION LOGICS)
5		OPEN A
J10 RED terminal	BUS	Safety devices with BUS technology
J2 GREY terminal	SERVICE LIGHT	Service Light control output (connect a relay coil at 24V= /100mA max)
J3 ORANGE terminal	LAMP	Flashing lamp 24V= / 15W
J4 BLUE terminal	LOCK	Electric lock 12V~ or 24 V= (to be installed on leaf 1)
J7	MOT1	Motor 1 (leaf 1)
J8	MOT2	Motor 2 (leaf 2)

 Leaf 1 means the leaf which opens first during the opening operation.

 The service light control is active during the entire gate opening or closing movement and for the successive 90 seconds.

3.3 ANTI-CRUSHING FUNCTION

The electronic anti-crushing function is obtained by controlling the current consumption or the encoder of the motors connected to the E024S unit.

If the gate detects an obstacle during the opening or closing movement, the anti-crushing function activates and reverses the sense of direction of the operator, thus increasing the safety degree of the automated system.

4 PROGRAMMING THE LOGIC

Repeatedly press the SW3 LOGIC push-button to select one of the 7 programming logics available.

The selected logic is signaled by the LD7 LED: the number of flashings corresponds to the number of the selected logic.

See paragraph 6.3.3.

5 PROGRAMMING THE SPEED

The function SPEED can be adjusted at any time by pressing push-button SW2.

The selected speed is then displayed on LED LD8:

LED on = HIGH speed
LED off = LOW speed

6 START-UP

6.1 LEADS CHECK

The following table shows the status of the LEDs in relation to the status of the inputs (the closed at rest automated system condition is shown in bold).

Check the status of the signalling LEDs as per table below:

Tab.1 – Operation of inputs status LEDs

LED	ON (closed contact)	OFF (open contact)
STOP	Command disabled	Command enabled
OPEN A	Command enabled	Command disabled
OPEN B	Command enabled	Command disabled
BUS	See par. 7.2	

6.2 PROGRAMMING THE DIP-SWITCHES


The settings of the DS1 dip-switch for programming the force and the type of motor are shown in the following table.


Tab. 2 - DS programming
(default settings in bold)

DS4	DS3	DS2	DS1	Description
OFF	OFF			MOTOR 391
ON	OFF			MOTOR 418
OFF	ON			MOTOR 412-413-415-390-770
ON	ON			HYDRAULIC MOTOR (*) S450H / S700H / S800H
		OFF	OFF	LOW FORCE
		ON	OFF	MEDIUM - LOW FORCE
		OFF	ON	MEDIUM - HIGH FORCE
		ON	ON	HIGH FORCE

Important:


The dip-switch arrangement on the E024S board for 391 is overturned.


 (*) with the DS3-DS4 selection on ON the operator connected to the encoder (EncS700 or EncS450) is automatically recognized during the set-up phase

 Before performing the Setup, select the operator connected to the E024S unit with the DS1(DS3-DS4) DIP switches.

6.3 TIME LEARNING – SETUP

 Before any manoeuvre is executed, a SETUP cycle must first be run.

 If the motor type is changed with the DS3 and DS4 dip-switches after the SETUP, a new SETUP is requested with flashing LD4 and LD5 LEDs.

 If, after the start of the SETUP procedure, the leaves close instead of open, reverse the motor power cables

When the board is powered up and a SETUP cycle has never been executed, LEDs LD4 and LD5 begin to flash slowly to signal that a SETUP cycle must be executed.

There are two possible types of SETUP:

- AUTOMATIC SETUP
- MANUAL SETUP

6.3.1 AUTOMATIC SETUP

To enter the Automatic setup, press the SETUP push-button until the two LD4 and LD5 LEDs are permanently lit. Then release the SETUP push-button.


During the Setup phase both LEDs flash.

The leaves start to open one at a time, from any position, till they detect the opening limit stop. Next, the leaves start to close, one at a time, till they detect the closing limit stop.

Then, the leaves start again to move automatically one at a time from the closed position.

1. When the leaves detect the opening limit stop, they stop in the open position and the set-up is completed.


If the SETUP procedure is performed correctly, the LD4 and LD5 LEDs turn off at the end. Otherwise the procedure ends by asking a new SETUP with flashing LEDs.

 **With the AUTOMATIC SETUP, the deceleration spaces, the leaf closing delays and the pause time (30 s, with logic A) are automatically preset during setup. You can modify them without repeating the setup operation by using the 2nd level programming.**

6.3.2 MANUAL SETUP

To enter the Manual setup, press the SETUP push-button until both LD4, press the SETUP push-button until the two LD4 and LD5 LEDs are permanently lit. Keep it pressed until the automated system starts moving automatically.

During the Setup phase both LEDs flash.

 (*) **During SETUP, to set the stop point, the OPEN command must ONLY be used with S450H operator with Enc450 encoder.**


The leaves start to open one at a time, from any position till they detect the opening limit stop. Next the leaves start to close one at a time till they detect the closing limit stop.


Then the leaves start again to move automatically one at a time from the closed position.

1. Open impulse ---> leaf 1 decelerated opening and start of the search for leaf 1 opening limit stop
 - if the limit stop is detected, it is set as stop point for leaf 1 and leaf 2 starts to open.
- (*) if an open command is detected, it is set as opening stop point for leaf 1 and leaf 2 starts to open.
2. Open impulse ---> leaf 2 decelerated opening and start of the search for leaf 2 opening limit stop.
 - if the limit stop is detected, it is set as opening stop point for leaf 2.
- (*) if an open command is detected, it is set as opening stop point for leaf 2.

3. From now on, until next open impulse, the pause time is counted.
4. Open impulse ---> Pause time acquisition and start of leaf 2 closing movement.
5. Open impulse ---> leaf 2 decelerated closure and start of the search for leaf 2 closing limit stop.
 - if the limit stop is detected, it is set as leaf 2 stop point and leaf 1 starts to close.
- (*) if an open command is detected, it is set as leaf 2 stop point and leaf 1 starts to close.
6. Open impulse ---> leaf 1 decelerated closure and start of the search for leaf 1 closing limit stop.
 - if the limit stop is detected, it is set as leaf 1 closing stop point.
- (*) if an open command is detected, it is set as leaf 1 closing stop point.

If the SETUP procedure is performed correctly, the LD4 and LD5 LEDs turn off at the end. Otherwise the procedure ends by asking a new SETUP with flashing LEDs.

 **To eliminate decelerated opening and closing, send 2 consecutive open impulses to determine the opening and closing stop point, otherwise have the leaf find the opening and closing limit stop if you want to use the limit stop facility.**

 **With the MANUAL SETUP the decelerated spaces, the leaf closing delay and the pause time are manually set on the board during setup. You can modify them without repeating the setup procedure by using the 2nd level programming.**

6.3.3 PROGRAMMING THE LOGIC

Repeatedly press the SW3 push-button to select one of the 7 programming logics available.

The selected logic is signaled by the LD7 LED.

The number of flashings corresponds to the number of the selected logic:

(default settings in bold)

Logic	Description	SW3 pressing (LOGIC)	LD7 flashing
A	Logic A (Automatic)	once	Flashing once
E	Semi-automatic	twice	Flashing twice
AP	Step-by-step automatic	3 times	Flashing 3 times
EP	Step-by-step semi-automatic	4 times	Flashing 4 times
A1	Automatic 1	5 times	Flashing 5 times
b	Semi-automatic "b"	6 times	Flashing 6 times
c	Dead man	7 times	Flashing 7 times



6.3.4 SECOND LEVEL PROGRAMMING - ADVANCED FUNCTIONS

To enter the 2nd level menu, press the SW2 SPEED push-button for more than 2.5 seconds.


Both SETUP LEDs light on with steady beam. In this mode, the SPEED key has the menu scrolling function. You can scroll the menu by pressing it the same number of times shown for the parameter.

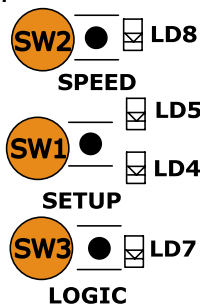
The different menus are identified by the number of flashing of LD8.

The LOGIC key is used to set the parameter value. You can exit the 2nd level menu by pressing the SPEED key for 2.5 seconds.

(default settings in bold)

Menu	Description	SW2 pressing (SPEED)	LD7 status <input type="checkbox"/> ON <input type="checkbox"/> OFF	LD8 flashing
1	Anti-wind	once	Enabled ON Disabled OFF	Flashing once
2	Reversing stroke	twice	Enabled ON Disabled OFF	Flashing twice
3	Soft-Touch	3 times	Enabled ON Disabled OFF	Flashing 3 times
4	Pre-flashing	4 times	Enabled ON Disabled OFF	Flashing 4 times
5	Leaf opening delay	5 times	Enabled ON (5 sec.) Disabled OFF	Flashing 5 times
6	Leaf closing delay* (Default 10 s)	6 times	ON (SW3 pressing) OFF (no pressure)	Flashing 6 times
7	Pause time* (Default 30 s)	7 times	ON (SW3 pressing) OFF (no pressure)	Flashing 7 times

*  **With menus 6 and 7, keep the LOGIC push-button pressed until reaching the time to be set. The time can be set between 0 and 4.25 minutes.**



6.3.5 RETURN TO DEFAULT SETTINGS

Restore the default settings as follows:

1. Keep the SETUP push-button pressed to switch the board ON.
2. Both SETUP LEDs are alternately lit
3. The board resets the parameters.
4. Until the SETUP push-button is pressed, movements are inhibited.
5. When the SETUP push-button is released, both LD4 and LD5 LEDs flash.
6. The default configuration is reset and the new Setup can be started.

6.3.6 DEFAULT PARAMETERS

Here the default parameters:

- Logic: E
- Anti-wind facility: NO
- Reverse Stroke: NO
- Soft-touch: NO
- Pre-flashing: NO
- Leaf opening delay: YES
- Leaf closing delay: 10 s
- Pause time: 30 s.

6.3.7 PARAMETER DEFINITION

- **Anti-wind:** the anti wind function enables the gate to operate even if there are gusts of wind. The obstacle detection time is set to 5 s and commands the reversal of motion.
- **Reversing stroke:** when the gate is closed, the reversing stroke function makes it possible that before the opening movement, the motors push to close for approx. 3 s to facilitate uncoupling the electric lock.
- **Soft-touch:** the soft touch function makes it possible that, after touching the closing limit stop, the leaves reverse and then rest gently. This function can be useful to observe the impact curve as requested by current standards.
- **Pre-flashing:** it activates approx. 3 s before every opening and closing movement
- **Leaf delay at opening:** it delays the leaf 2 start at opening with respect to leaf 1, avoiding thus any interference between the leaves.
- **Leaf delay at closure:** it delays leaf 1 at closure with respect to leaf 2.
- **Pause time:** In logic A it is the time set for the leaf re-closure after the opening.

7.1 SETTING THE BUS PHOTOCELLS

Important: the same address must be given to both transmitter and receiver.

Make sure that there are no two or more photocells pairs with the same address.

If no BUS accessory is used, leave the BUS connector free (J10 - fig. 1).

A maximum of 16 BUS photocell pairs can be connected to the board.

The photocells are split into groups:

- Opening photocells: max 6
- Closing photocells: max 7
- Opening /Closing photocells: max 2
- Photocell used as an OPEN pulse: max 1

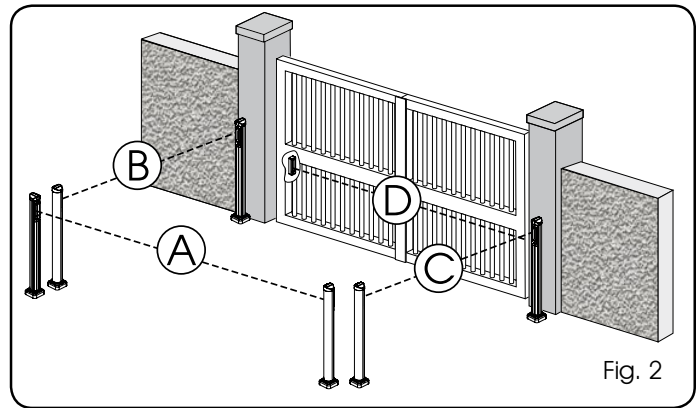


Fig. 2 shows a 2-swing leaf automated system indicating the coverage beams of the photocells:

- A: Photocells with OPENING and CLOSING action.
- B: Photocells with OPENING action
- C: Photocells with OPENING action
- D: Photocells with CLOSING action

7 INSTALLATION OF BUS ACCESSORIES

This board is supplied with a BUS circuit enabling easy connection of a high number of BUS accessories (e.g. up to 16 photocells pairs), appropriately programmed, using only two cable without polarity.

Below we describe the addressing and memory storage of the BUS photocells.

For other future accessories, refer to the specific instructions.

Table 3 shows the programming operations of the dip-switch inside the transmitter and of the BUS Photocells receiver.

Tab. 3 - Setting of bus photocells

Dip1	Dip2	Dip3	Dip4	Ref.	Type
OFF	OFF	OFF	OFF	B - C	OPENING
OFF	OFF	OFF	ON		
OFF	OFF	ON	OFF		
OFF	OFF	ON	ON		
OFF	ON	ON	OFF		
OFF	ON	ON	ON		
ON	OFF	OFF	OFF	D	CLOSING
ON	OFF	OFF	ON		
ON	OFF	ON	OFF		
ON	OFF	ON	ON		
ON	ON	OFF	OFF		
ON	ON	ON	OFF		
OFF	ON	OFF	OFF	A	OPENING and CLOSING
OFF	ON	OFF	ON		
ON	ON	ON	ON		
ON	ON	ON	ON	/	OPEN PULSE

7.2 MEMORY STORAGE OF BUS ACCESSORIES

You can add the BUS photocells to the system at any time, simply by memory-storing them on the board, observing the following procedure:

1. Install and program the accessories using the required address (see paragraph 7.1)
2. Cut power to the board.
3. Connect the two accessories cables to the red terminal-board J10 (any polarity will do).
4. Power up the board, taking care to first connect the main power supply (transformer output) and then any batteries and wait for the BUS LED to light on.
5. Quickly press once only the SW1 (SETUP) push-button, to execute learning. The BUS LED flashes.
6. Give an OPEN impulse, leaves will move and the BUS learning procedure is over.

The board has memory stored the BUS accessories. Follow the instructions in the table below to check if the BUS connection is correct.

Tab. 4 - Description of BUS LED

Steady light	Normal operation (LED ON even in the absence of photocells)
Slow flashing lamp (flash every 0.5 sec)	At least one input engaged: photocell engaged or not aligned, Open A or Open B or Stop input engaged
Light OFF (flash every 2.5 sec)	BUS line short circuited
Fast flashing lamp (flash every 0.2 sec)	If you have detected a BUS connection error, repeat the acquisition procedure. If the error is repeated, make sure that there is no more than one accessory with the same address in the system (also see the accessories instructions)

8 MEMORY STORING THE RADIO CODE

The control unit has an integrated 2-channel decoding system (DS, SLH, LC) named OMNIDEC. This system makes it possible to memory-store both total opening (OPEN A) and partial opening (OPEN B) of the automated system - this is made possible by an additional receiver module (fig.3A ref. ①) and Fig.3B ref. 1 for E024S for 391) and radio controls on the same frequency.

**The 3 types of radio codes (DS, LSH, RC) cannot coexist.
Only one radio code can be used at a time.**

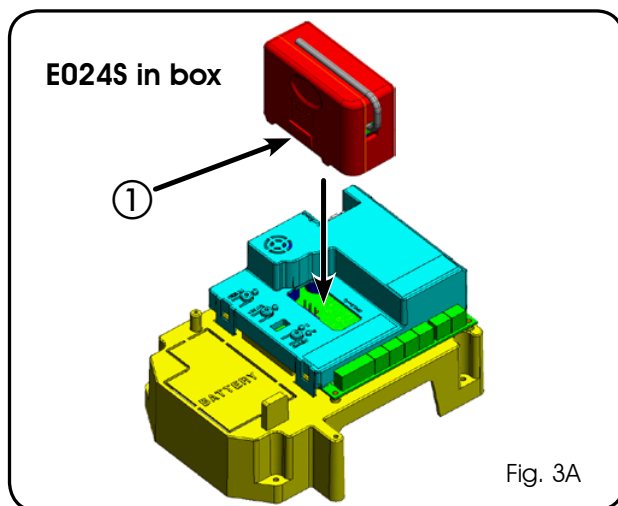


Fig. 3A

To change over from one code to another, you must delete the existing one (see paragraph on deletion), and repeat the memory-storage procedure.

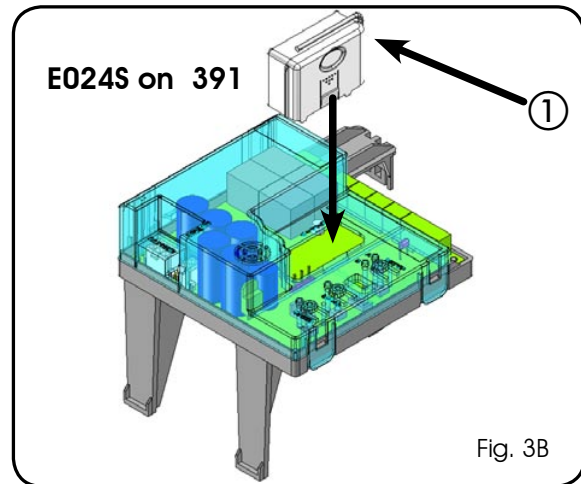


Fig. 3B

8.1 MEMORY STORAGE OF DS RADIO CONTROLS

A maximum of two codes can be stored. One on the OPEN A channel and one on the OPEN B channel.

1. On the DS radio control, select the required ON-OFF combination for the 12 dip-switches.
2. Press the LOGIC (SW3) or SPEED (SW2) push-button, to memory store respectively total opening (OPEN A) or partial opening (OPEN B), and as you hold it down, also press the SETUP (SW1) push-button. The relevant LED starts to flash slowly for 5 sec.
3. Release both push-buttons.
4. Within these 5 sec., press the appropriate push-button on the radio control.
5. The relevant LED lights up on steady beam for 1 second and then goes OFF, indicating that storage was executed.
6. To add other radio controls, set the same ON - OFF combination used in point 1.

8.2 MEMORY STORAGE OF SLH RADIO CONTROLS

A maximum of 250 codes can be memory stored, split between OPEN A and OPEN B.

1. On the SLH radio control, simultaneously press and hold down push-buttons P1 and P2.
2. The radio control LED begins to flash.
3. Release both push-buttons.
4. Within 5 s, while the radio control LED is still flashing, press and hold down the selected push-button on the radio control (the radio control LED lights on with steady beam).
5. Press the LOGIC (SW3) or SPEED (SW2) push-button to respectively memory store total opening (OPEN A) or partial opening (OPEN B) and, by holding it down, press the push-button SETUP (SW1)
6. The LED on the board lights up on steady beam for 1 second and then goes OFF, indicating that storage was executed.
7. Release the radio control push-button.
8. Quickly press twice the memory stored radio control push-button.

⚠ The automated system performs one opening operation. Make sure that the automated system is free of any obstacle created by persons or things.

To add other radio controls, transfer the code of the memory-stored push-button of the radio control to the relevant push-button of the radio controls to be added, observing the following procedure.

- On the memory stored radio control, simultaneously press and hold down push-buttons P1 and P2.
- The radio control LED begins to flash.
- Release both push-buttons.
- Press the memory stored push-button and hold it down (the radio control LED lights up on steady beam).
- Bring the radio controls near, press and hold down the push-button of the radio control to be added, releasing it only after the double flash of the radio control LED, which indicates memory storage executed.
- Quickly press twice the push-button of the memory stored radio control.

⚠ The automated system performs one opening operation. Make sure that the automated system is free of any obstacle created by persons or things.

8.3 MEMORY STORAGE OF RC/LC RADIO CONTROLS

👉 A maximum of 250 codes can be memory stored, split between OPEN A and OPEN B.

1. Use RC/LC remote controls only with receiver module at 433 MHz.
2. Press the LOGIC (SW3) or SPEED (SW2) push-button, to memory store respectively total opening (OPEN A) or partial opening (OPEN B), and as you hold it down, also press the SETUP (SW1) push-button. The relevant LED starts to flash slowly for 5 sec.
3. Release both push-buttons. Within these 5 sec., press the appropriate push-button on the RC or LC remote control.
4. The LED lights up on steady beam for 1 second, indicating memory storage executed, and then resumes flashing for another 5 sec., during which another radio control (point 4) can be memory stored.
5. When the 5 sec. have elapsed, the LED goes OFF indicating the end of the procedure.
6. To add other radio controls, repeat the operation at point 1.

8.3.1 REMOTE MEMORY STORAGE OF RC/LC RADIO CONTROLS

Other radio controls can be remotely stored only with the RC/LC radio controls, i.e. without using the LOGIC-SPEED-SETUP push-buttons, but using a previously stored radio control.

1. Get a radio control already stored on one of the 2 channels (OPEN A or OPEN B).
2. Press and hold down push-buttons P1 and P2 simultaneously until both the LEDs flash slowly for 5 sec.
3. Within 5 sec. press the push-button of the radio control that had been memory stored to enable learning on the selected channel.

4. The LED on the board relating to the channel being learned flashes for 5 sec., within which time the code of another radio control must be transmitted.
5. The LED lights up on steady beam for 2 seconds, indicating memory storage executed, and then resumes flashing for 5 sec., during which other radio controls can be memory stored, and then goes OFF.

8.4 RADIO CONTROLS DELETION PROCEDURE

1. To delete **ALL** the input radio control codes, press push-button LOGIC (SW3) or SPEED (SW2) and, while holding it down, also press push-button SETUP (SW1) for 10 sec.
2. The LED relating to the pressed push-button flashes for the first 5 sec, and then flashes more quickly for the next 5 sec.
3. Both LEDs light up on steady beam for 2 sec and then go OFF (deletion completed).
4. Release both push-buttons.

⚠ This operation is NOT reversible. All codes of radio controls stored as OPEN A and OPEN B will be deleted.

9 BATTERY KIT OF E024S (OPTIONAL)

The buffer battery kit was built for insertion inside the control board support.

This support (Fig.4 ref.①) was pre-moulded to permit the battery housing to be opened.

1. Remove the board support material covering the battery housing, cutting the material connections along the perimeter.

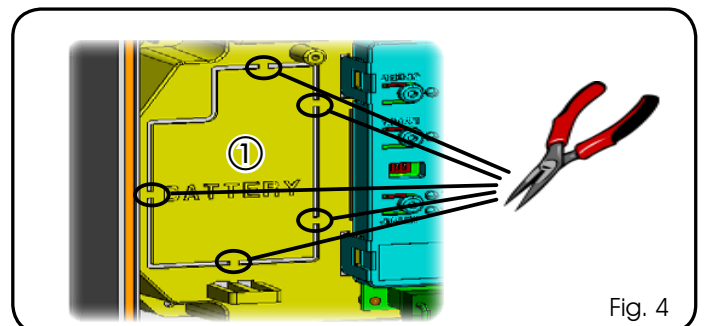


Fig. 4

2. Insert the battery in the housing you have just created, and secure it on the anchoring supports (Fig.5).

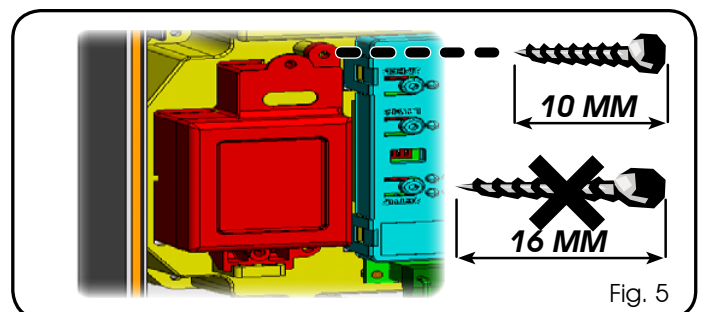


Fig. 5

3. To correctly fasten and connect the control unit to the J11 connector, refer to the instructions enclosed with the battery kit.

9.1 BATTERY KIT OF E024S ON 391 (OPTIONAL)

The battery kit enables you to activate the automated system even in the event of a mains power fault. The batteries are housed in a specific compartment inside the operator (see sequence in fig. 6).

To install, refer to the specific instructions.

 **The batteries start operating when mains voltage fails.**

10 AUTOMATED SYSTEM TEST

When you have finished programming, check if the system is operating correctly. In particular, check if the safety devices are operating correctly.

11 S700H/S800H: BUS ENCODER WIRING

Connection of the BUS input to the control board is via the bipolar cables which come out of the encoders.

Unlike the case of the photocell devices, the polarity of the BUS line connection determines whether the encoder is associated with one leaf rather than with the other. This is why you must pay great attention to the indications of the status LEDs on the body of each encoder (Fig.1).

Below we list the functions of LEDs LD1, DL2, and DL3, and their statuses:

TAB. 1 - Encoder connection and LED status

LED	ON	FLASHING	OFF
DL 1	Power ON and BUS communicating with board	Power ON but BUS not communicating	No Power or BUS communication
DL 2	Leaf 1 encoder	--	Leaf 2 encoder
DL 3	--	Pulses read while leaf moving	--

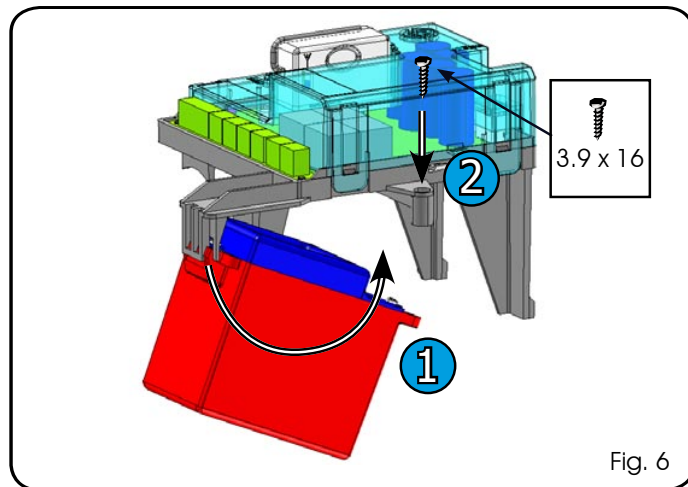


Fig. 6

DL1 must always be ON to guarantee a correct connection between encoder and board.

DL 2 identifies leaf 1 and leaf 2.

If correctly configured, the encoder boards are as follows:

DL2 ON for leaf 1.

DL2 OFF for leaf 2.

In the event of an incorrect connection, i.e. two encoders have the DL2 LEDs with the same status, during the BUS accessory learning procedure, the DL1 LEDs of both encoders will flash. In this condition, please refer to the configuration on the table in order to determine which encoder connection needs to be reversed.

DL3 indicates, by means of a regular flashing, the reading of the impulses during the movement of the leaf.

If the leaf is at rest, DL 3 can be both ON and OFF

N.B. in particular motionless leaf positions, DL3 may flutter considerably. This signal must not be considered a fault.

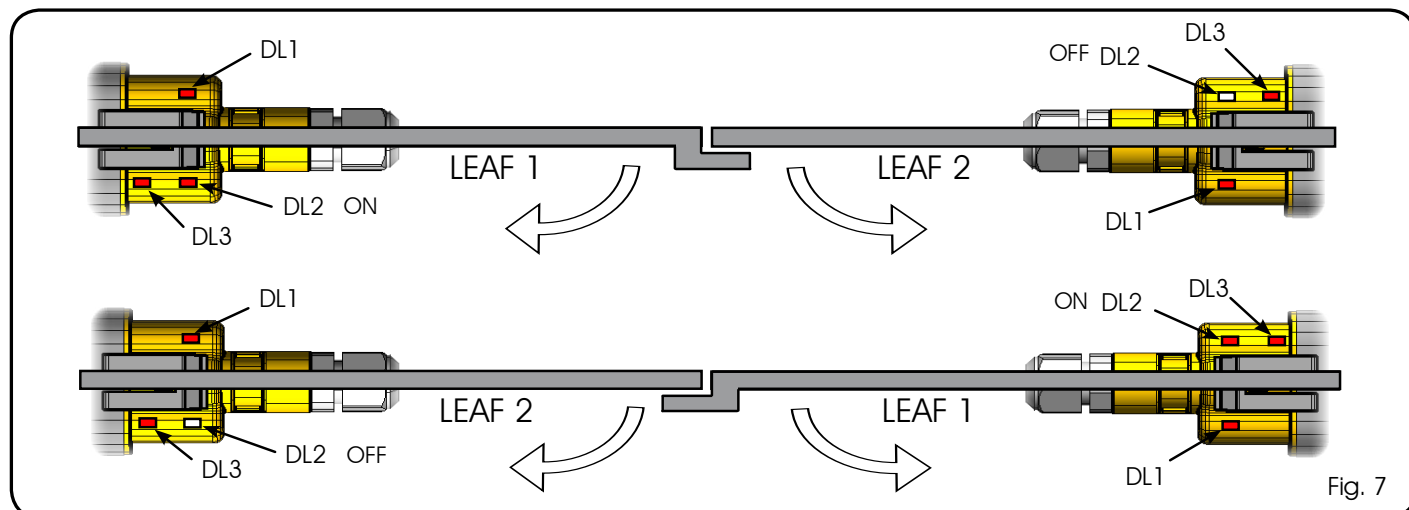


Fig. 7

12 S450H BUS ENCODER WIRING

ENGLISH

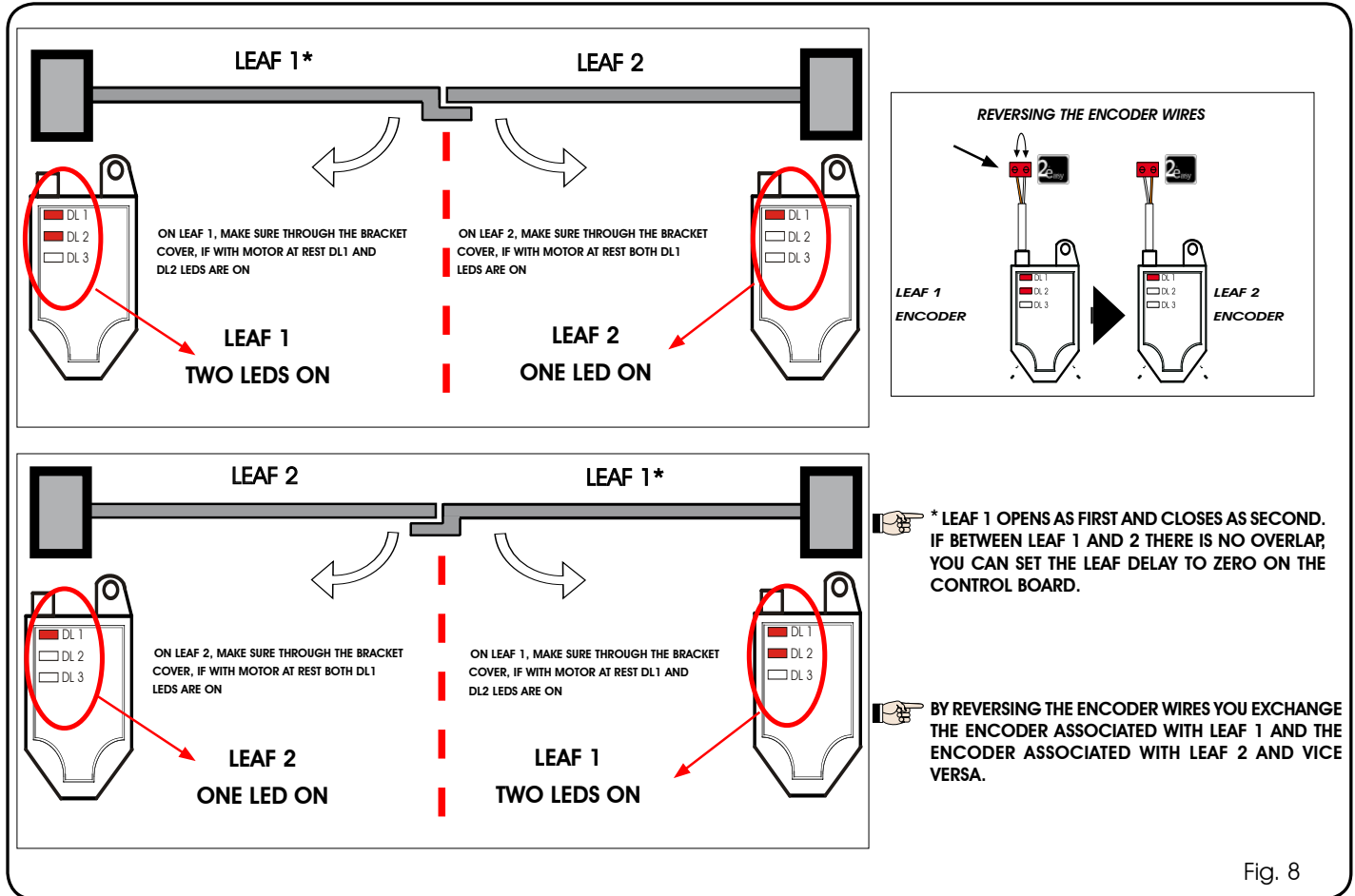


Fig. 8

13 FUNCTION LOGICS

Tab. 5

LOGIC "A"	PULSES					
	OPEN A	OPEN B	STOP	FWS OP	FWS CL	FWS CL/OP
CLOSED	opens and closes after pause time	opens released leaf and closes after pause time	no effect (OPEN disabled)	no effect (OPEN disabled)	no effect	no effect (OPEN disabled)
OPENING	no effect (1)	no effect	stops operation	reverses at closure	no effect	stops and opens at release (saves CLOSE)
OPEN IN PAUSE	recharges pause time (1)	recharges pause time of released leaf	stops operation	no effect	recharges pause time (CLOSE disabled)	recharges pause time (CLOSE disabled)
CLOSING	reopens leaves immediately	reopens leaves immediately	stops operation	no effect	reverses at opening	stops and opens at release (saves CLOSE)
BLOCKED	closes leaves	closes leaves	no effect (OPEN/CLOSE disabled)	no effect (OPEN disabled)	no effect (CLOSE disabled)	no effect (OPEN/CLOSE disabled)

(1) if the cycle began with OPEN-B (released leaf), both leaves are activated at opening

Tab. 6

LOGIC "E"	PULSES					
AUTOMATED SYSTEM STATUS	OPEN A	OPEN B	STOP	FSW OP	FSW CL	FSW CL/OP
CLOSED	opens the leaves	opens released leaf	no effect (OPEN disabled)	no effect (OPEN disabled)	no effect	no effect (OPEN disabled)
OPENING	stops operation (1)	stops operation	stops operation	immediately reverses at closure	no effect	stops and opens at release (OPEN stops - saves CLOSE)
OPEN	recloses leaves immediately (1)	recloses leaves immediately	no effect (OPEN/CLOSE disabled)	no effect	no effect (CLOSE disabled)	no effect (OPEN/CLOSE disabled)
CLOSING	reopens leaves immediately	reopens leaves immediately	stops operation	no effect	reverses at opening	stops and opens at release (OPEN stops - saves CLOSE)
BLOCKED	closes leaves	closes leaves	no effect (OPEN/CLOSE disabled)	no effect (OPEN disabled)	no effect (CLOSE disabled)	no effect (OPEN stops - saves CLOSE)

(1) if the cycle began with OPEN-B (released leaf), both leaves are activated at opening

Tab. 7

LOGIC "AP"	PULSES					
AUTOMATED SYSTEM STATUS	OPEN A	OPEN B	STOP	FSW OP	FSW CL	FSW CL/OP
CLOSED	opens and closes after pause time	opens released leaf and closes after pause time	no effect (OPEN disabled)	no effect (OPEN disabled)	no effect	no effect (OPEN disabled)
OPENING	stops operation (1)	stops operation	stops operation	reverses at closure (saves OPEN)	no effect	stops and opens at release (OPEN stops - saves CLOSE)
OPEN IN PAUSE	stops operation (1)	stops operation	stops operation	no effect	recharges pause time (CLOSE disabled)	recharges pause time (CLOSE disabled)
CLOSING	reopens leaves immediately	reopens leaves immediately	stops operation	no effect	reverses at opening	stops and opens at release (OPEN stops - saves CLOSE)
BLOCKED	closes leaves	closes leaves	no effect (OPEN/CLOSE disabled)	no effect (OPEN disabled)	no effect (CLOSE disabled)	no effect (OPEN/CLOSE disabled)

(1) if the cycle began with OPEN-B (released leaf), both leaves are activated at opening

Tab. 8

LOGIC "EP"	PULSES					
AUTOMATED SYSTEM STATUS	OPEN A	OPEN B	STOP	FSW OP	FSW CL	FSW CL/OP
CLOSED	opens the leaves	opens released leaf	no effect (OPEN disabled)	no effect (OPEN disabled)	no effect	no effect (OPEN disabled)
OPENING	stops operation (1)	stops operation	stops operation	immediately reverses at closure	no effect	stops and opens at release (OPEN stops - saves CLOSE)
OPEN	recloses leaves immediately (1)	recloses leaves immediately	no effect (OPEN/CLOSE disabled)	no effect	no effect (CLOSE disabled)	no effect (OPEN/CLOSE disabled)
CLOSING	stops operation	stops operation	stops operation	no effect	reverses at opening	stops and opens at release (OPEN stops - saves CLOSE)
BLOCKED	restarts moving in opposite direction. Always closes after STOP	restarts moving in opposite direction. Always closes after STOP	no effect (OPEN/CLOSE disabled)	no effect (OPEN disabled)	no effect (CLOSE disabled)	no effect (OPEN stops - saves CLOSE)

(1) if the cycle began with OPEN-B (released leaf), both leaves are activated at opening

Tab. 9

LOGIC "A1"	PULSES					
AUTOMATED SYSTEM STATUS	OPEN A	OPEN B	STOP	FSW OP	FSW CL	FSW CL/OP
CLOSED	opens and closes after pause time	opens released leaf and closes after pause time	no effect (OPEN disabled)	no effect (OPEN disabled)	no effect	no effect (OPEN disabled)
OPENING	no effect (1)	no effect	stops operation	reverses	continues to open and re-closes after 5 s	stops and opens at release (saves CLOSE)
OPEN IN PAUSE	recharges pause time (1)	recharges pause time (1)	stops operation	no effect	stops and closes on release after 5 s	recharges pause time (CLOSE disabled)
CLOSING	reopens leaves	reopens leaves	stops operation	no effect	reverses at opening	stops and opens at release (saves CLOSE)
BLOCKED	closes leaves	closes leaves	no effect (OPEN/CLOSE disabled)	no effect (OPEN disabled)	no effect (CLOSE disabled)	no effect (OPEN/CLOSE disabled)

(1) if the cycle began with OPEN-B (released leaf), both leaves are activated at opening

Tab. 10

LOGIC "B"	PULSES					
AUTOMATED SYSTEM STATUS	OPEN A	OPEN B	STOP	FSW OP	FSW CL	FSW CL/OP
CLOSED	opens the leaves	no effect	no effect (OPEN disabled)	no effect (OPEN disabled)	no effect	no effect (OPEN disabled)
OPENING	no effect	stops operation	stops operation	stops operation	no effect	stops operation
OPEN	no effect	closes leaves	no effect (OPEN/CLOSE disabled)	no effect	no effect (CLOSE disabled)	no effect (OPEN/CLOSE disabled)
CLOSING	opens the leaves	no effect	stops operation	no effect	stops operation	stops operation
BLOCKED	opens the leaves	closes leaves	no effect (OPEN/CLOSE disabled)	no effect (OPEN disabled)	no effect (CLOSE disabled)	no effect (OPEN/CLOSE disabled)

(1) if the cycle began with OPEN-B (released leaf), both leaves are activated at opening

Tab. 11

LOGIC "C"	MAINTAINED COMMANDS		PULSES			
AUTOMATED SYSTEM STATUS	OPEN A	OPEN B	STOP	FSW OP	FSW CL	FSW CL/OP
CLOSED	opens the leaves	no effect	no effect (OPEN disabled)	no effect (OPEN disabled)	no effect	no effect (OPEN disabled)
OPENING	no effect	closes leaves	stops operation	stops operation	no effect	stops operation
OPEN	no effect	closes leaves	no effect (OPEN/CLOSE disabled)	no effect	no effect (CLOSE disabled)	no effect (OPEN/CLOSE disabled)
CLOSING	opens the leaves	no effect	stops operation	no effect	stops operation	stops operation
BLOCKED	opens the leaves	closes leaves	no effect (OPEN/CLOSE disabled)	no effect (OPEN disabled)	no effect (CLOSE disabled)	no effect (OPEN/CLOSE disabled)

(1) if the cycle began with OPEN-B (released leaf), both leaves are activated at opening

Le descrizioni e le illustrazioni del presente manuale non sono impegnative. La FAAC si riserva il diritto, lasciando inalterate le caratteristiche essenziali dell'apparecchiatura, di apportare in qualunque momento e senza impegnarsi ad aggiornare la presente pubblicazione, le modifiche che essa ritiene convenienti per miglioramenti tecnici o per qualsiasi altra esigenza di carattere costruttivo o commerciale.

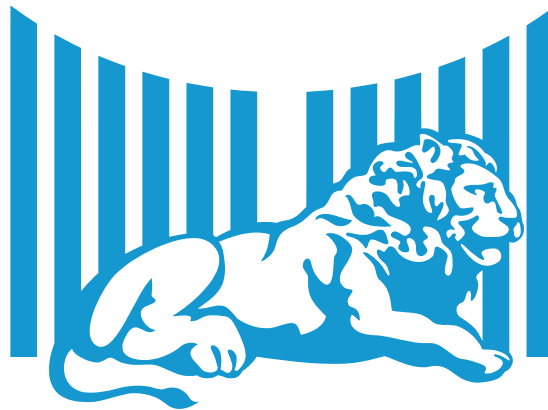
The descriptions and illustrations contained in the present manual are not binding. FAAC reserves the right, whilst leaving the main features of the equipments unaltered, to undertake any modifications it holds necessary for either technical or commercial reasons, at any time and without revising the present publication.

Les descriptions et les illustrations du présent manuel sont fournies à titre indicatif. FAAC se réserve le droit d'apporter à tout moment les modifications qu'elle jugera utiles sur ce produit tout en conservant les caractéristiques essentielles, sans devoir pour autant mettre à jour cette publication.

Die Beschreibungen und Abbildungen in vorliegendem Handbuch sind unverbindlich. FAAC behält sich das Recht vor, ohne die wesentlichen Eigenschaften dieses Gerätes zu verändern und ohne Verbindlichkeiten in Bezug auf die Neufassung der vorliegenden Anleitungen, technisch bzw. konstruktiv/kommerziell bedingte Verbesserungen vorzunehmen.

Las descripciones y las ilustraciones de este manual no comportan compromiso alguno. FAAC se reserva el derecho, dejando inmutadas las características esenciales de los aparatos, de aportar, en cualquier momento y sin comprometerse a poner al día la presente publicación, todas las modificaciones que considere oportunas para el perfeccionamiento técnico o para cualquier otro tipo de exigencia de carácter constructivo o comercial.

De beschrijvingen in deze handleiding zijn niet bindend. FAAC behoudt zich het recht voor op elk willekeurig moment de veranderingen aan te brengen die het bedrijf nuttig acht met het oog op technische verbeteringen of alle mogelijke andere productie- of commerciële eisen, waarbij de fundamentele eigenschappen van de apparaat gehandhaafd blijven, zonder zich daardoor te verplichten deze publicatie bij te werken.



FAAC

FAAC S.p.A.
Via Calari, 10
40069 Zola Predosa (BO) - ITALIA
Tel. 0039.051.61724 - Fax. 0039.051.758518
www.faac.it
www.faacgroup.com

732642 - Rev. D